



Fridge Cage + Under Drawer

INSTALLATION GUIDE

PARTS LISTING

- 27 x M5 x12 S/S Bolts
- 19 x M5 Washers S/S
- 19 x M5 Nuts S/S
- 8 x 8g x 1 1/4 Screws
- 1 x Bushman 85lt Cage Set
- 1 x 80-85lt Under Drawer (If purchased)

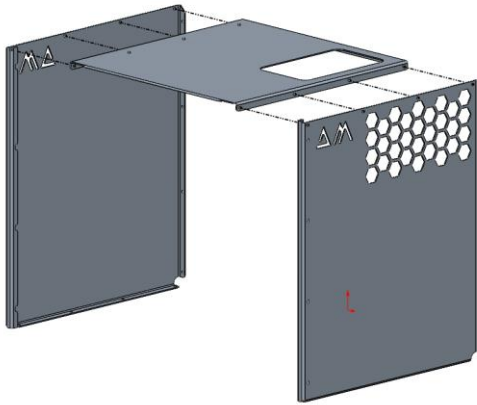
TOOLS REQUIRED

- 8mm Spanner
- M5 Allen Key
- Mounting Screws / Bolts (Not Supplied)

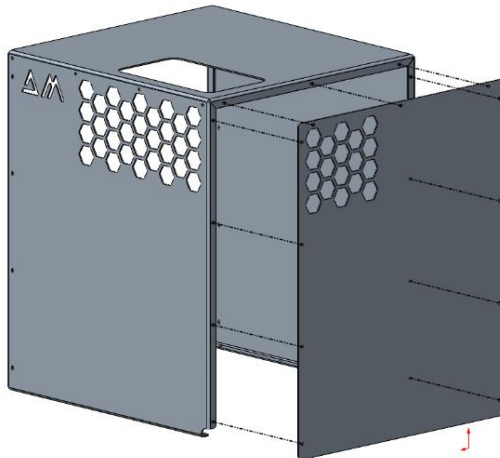


INSTALLATION

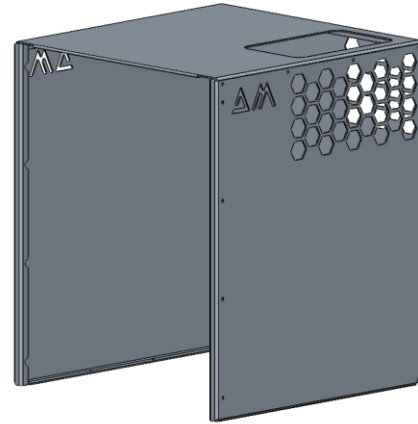
1. Using the supplied M5 Fasteners, bolt together both side walls to top cover. Hand tight only (leave all nuts loose)



2. Once the side walls and top cover are loosely bolted together, install the back sheet into the cage. Hand tight only (leave all nuts loose). Line the hex holes up in the corner as per below. These help the fridge vent freely.

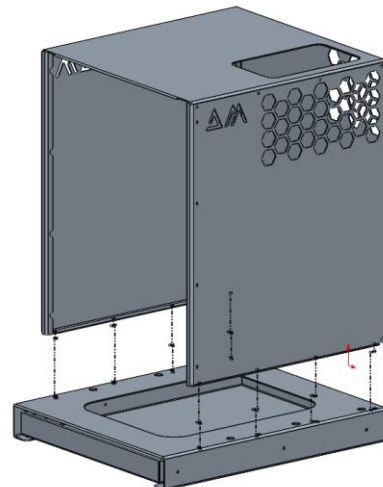


3. Once Fridge Cage parts are loosely bolted together go ahead and tight all bolts & nuts. Completed Cage:



If you have purchased the Cage Only, please disregard the Step (4) with the under drawer.

4. With the completed Fridge Cage and Extra 6 x M5 bolts, sit the fridge cage on top of the drawer sections, Lining up mounting holes with the installed rivnuts in the drawer base. Bolt down fridge cage to drawer (Tight).

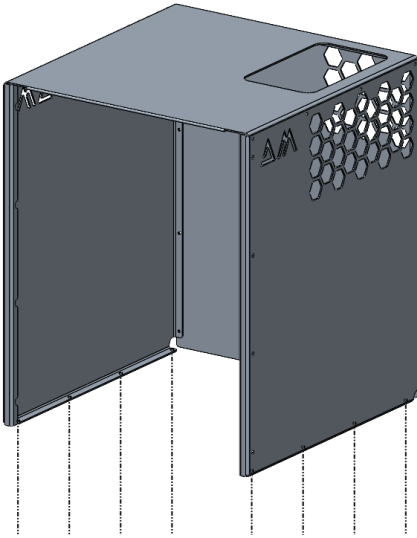




5. You are now ready to install the unit into your set up.

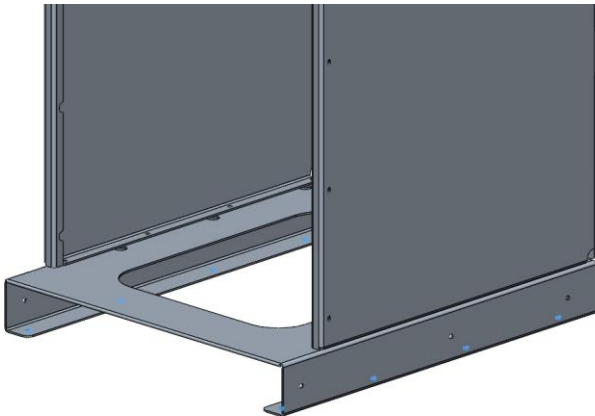
Using the below mounting holes, please screw down the unit.
(If you are only screwing the cage down, please ensure fridge cage is square).

Cage Only Mounting:



Drawer mounting:

Highlighted blue holes



6. Once fridge cage is screwed down into place, slide the fridge into the cage (please note, you do not use the Bushmans mounting frame).

Lining up the fridge frame (not the door) with the front of the fridge cage (highlighted blue):



7. Install the supplied Torx screws in the highlighted blue slots below. This will line up with the factory bushman frame holes.



8. Installation completed. Plug in the fridge and enjoy!